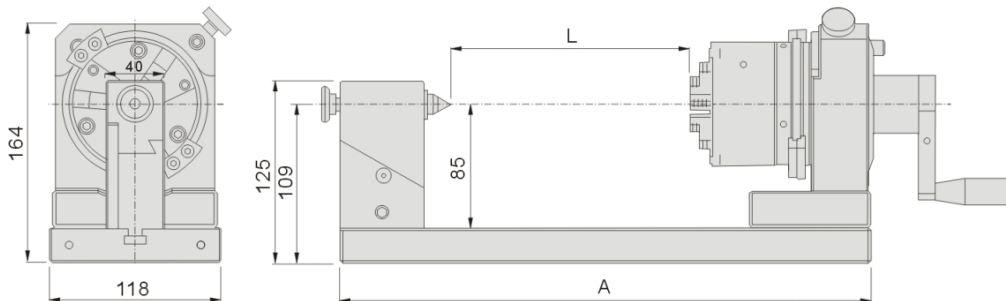


3 JAWS CENTER MANUAL PUNCH FORMER – ARP85-MCP



Dimensions (mm)			
Part Number	L	A	Weight kg
6002/11/M150	0 - 150	375	20
6002/11/M250	0 - 250	475	23
6002/11/M350	0 - 350	575	26
6002/11/M450	0 - 450	675	29,5

Use : On surface grinding machine ARP85-MCP is suitable for manual processing of various shapes on long punches .

Exécution :

- Hardened tool steel construction
- Indexing division : 24 every 15° ±10''
- Built in sine bar for setting angles between index locations
- Roundness : 0.002 mm
- Squareness : 0.002/100 mm
- Parallelism : 0.002/100 mm
- Max outer \varnothing clamping range: 2 ~ 70 mm
- Max inner \varnothing clamping range : 24 ~ 64 mm
- Hole dia of 3 jaws chuck : 16 mm
- Option : motorized version