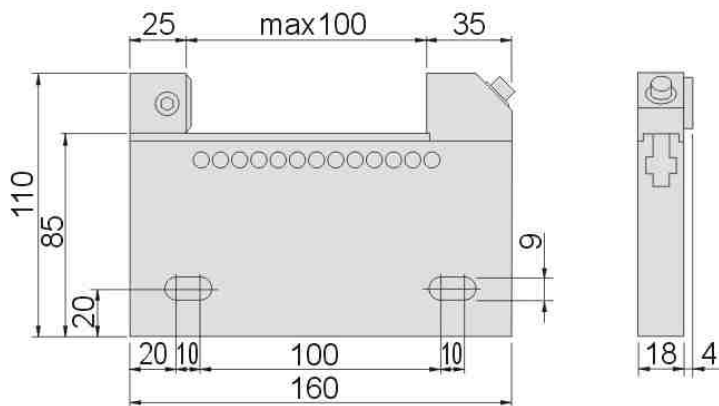
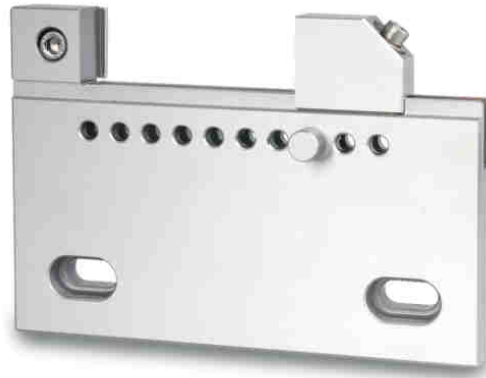


STAINLESS STEEL PRECISION VISE FOR EDM – WPV90



Dimensions (mm)				
Part number	Jaw opening	Jaw width	Jaw height	Weight Kg
1002/31/30	0-100	18	25	2,8

Use : EDM

Features :

- High quality stainless steel
- Cryogenic hardening , hardness : 45-55 HRC
- Parallélism : 0.003/100 mm
- Squareness : 0.005/100 mm